

结构特点 Design features

- 内装、单端面、金属波纹管、平衡型、旋转式、平垫密封、法兰联接；
- 优越的追随性和补偿能力，抗震能力强，所使用的材料广泛，环境适应能力强；
- 静环为BP形式，也可选用其它形式的静环。
- Internally mounted, single face, metal bellows, balanced, rotary seal, flanges connection.
- With superior performance of the compensation, material widely used, adaptive capacity.
- With "BP" seat or other seat types.

材料 Materials(to DIN24960)

- 旋转环 Rotary Ring: A、U22、Q12、Q22
- 静止环 Stationary Ring: U2、Q1、Q2
- 辅助密封 Auxiliary Seal: G、T1
- 波纹管 Bellows: G1、Y、M
- 其他结构件材料 Other Parts: F、G、M、T4

适用范围 Operating limits

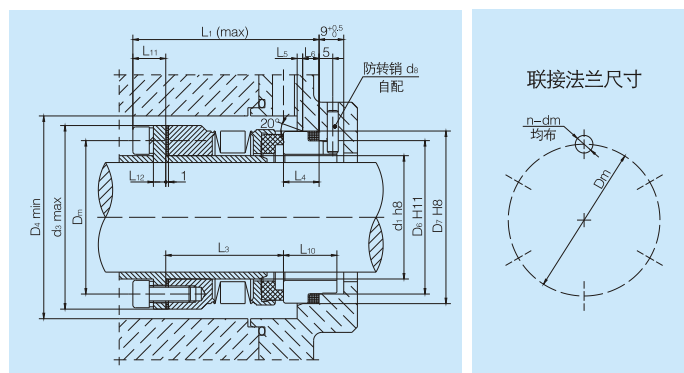
- 压力 Pressure: 0~2.0MPa(单层波片 Single-Ply)
0~3.5MPa(双层波片 Doubly-Ply)
- 温度 Temperature: -75~260°C
- 速度 Speeds: ≤25m/sec
≤4500r/min
- 粘度 Viscosity: ≤1.0Pa.s(1000cp)软对硬(Soft VS Hard)
≤3.5Pa.s(3500cp)硬对硬(Hard VS Hard)

用途 Applications

用于化工、石油化工、炼油、制冷、制药、造纸等工业的泵类的旋转轴密封。
Use in all types of rotating equipment, pumps. To suit industries such as general chemical, oil refining, petrochemical, pharmaceutical, pulp and paper, and waste water treatment.

介质 Medium

油类、轻烃、芳烃、有机溶剂、弱酸、碱液、水、氨水等清洁的或含颗粒的流体。
Use in the clean particle fluid, such as oil, hydrocarbons, aromatic hydrocarbons, organic solvents, weak acid, alkali liquid, water, ammonia water etc.



型号 Model	d1	d3	D4	D6	D7	Dm	n	dm	d8	L1	L3	L4	L5	L6	L10	L11	L12
J111-30	30	47	49	39	45	40	8	4.5	3	51.0	30.0	12.0	2.0	5	18.5	9.0	4.0
J111-35	35	51	53	44	50	44	8	4.5	3	51.0	30.0	12.0	2.0	5	18.5	9.0	4.0
J111-40	40	62	65	51	58	52	6	6.5	4	65.0	40.0	13.0	2.0	6	19.5	12.0	4.5
J111-45	45	67	70	56	63	56	6	6.5	4	68.0	43.0	13.0	2.0	6	19.5	12.0	4.5
J111-50	50	72	75	62	70	62	6	6.5	4	68.0	42.5	13.5	2.5	6	20.0	12.0	4.5
J111-55	55	78	83	67	75	67	6	6.5	4	73.5	48.0	13.5	2.5	6	20.0	12.0	4.5
J111-60	60	83	88	72	80	72	6	6.5	4	73.5	48.0	13.5	2.5	6	20.0	12.0	4.5
J111-65	65	88	93	77	85	76	6	6.5	4	73.5	48.0	13.5	2.5	6	20.0	12.0	4.5
J111-70	70	97	102	83	92	84	6	6.5	4	73.5	47.0	14.5	2.5	7	21.0	12.0	4.5
J111-75	75	99	104	88	97	88	6	6.5	4	76.5	50.0	14.5	2.5	7	21.0	12.0	4.5
J111-80	80	104	109	95	105	91	6	6.5	4	76.5	49.5	15.0	3.0	7	21.5	12.0	4.5
J111-85	85	109	114	100	110	97	6	6.5	4	76.5	49.5	15.0	3.0	7	21.5	12.0	4.5
J111-90	90	115	120	105	115	103	6	6.5	4	78.5	51.5	15.0	3.0	7	21.5	12.0	4.5
J111-95	95	121	124	110	120	110	8	6.5	4	78.5	51.5	15.0	3.0	7	21.5	12.0	4.5
J111-100	100	124	129	115	125	113	8	6.5	4	78.5	51.5	15.0	3.0	7	21.5	12.0	4.5